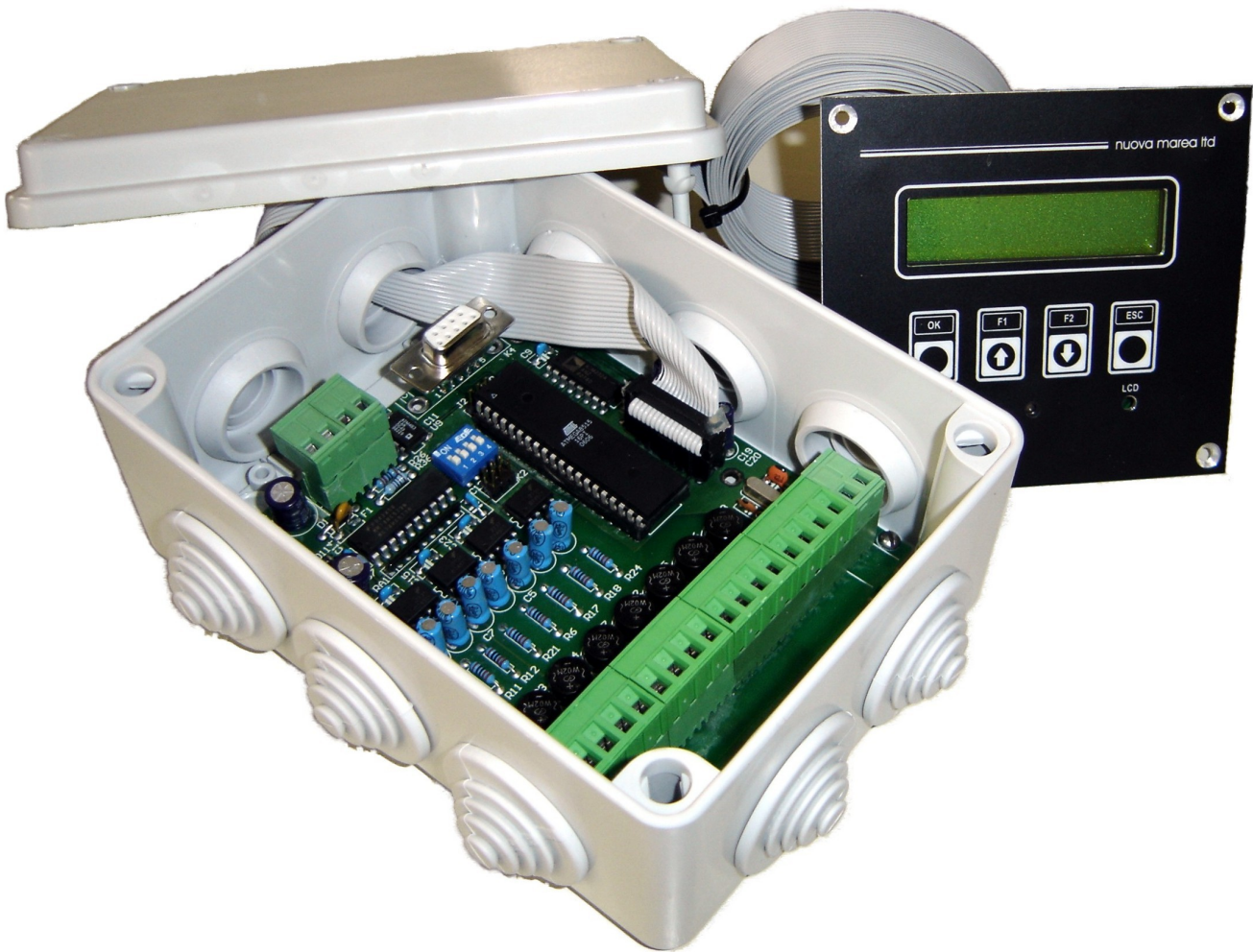


# CA-880 Calling System

**User Guide**  
version 1.00



## Introduction

The CA-880 is an eight zone calling device that can be used as a notification system. It can be connected as a standalone system or as a master/slave system if a CA-881 device is also installed. In this case two different areas can receive calling notifications with both visual and audible indications and with master and slave units capable to acknowledge the incoming calls.

Each zone can be programmed with a different name to distinguish the area from where the call has been send.

**nuova marea ltd**  
marine electronics & design

26, Myrtiliotissis str. Kastella 185-33 Piraeus Greece  
Tel +30 210 4134628 & +30 210 4134698 Fax +30 210 4134814  
Web: <http://www.nuovamarea.com> e-mail: [sales@nuovamarea.com](mailto:sales@nuovamarea.com)

## Connection

The CA880 can be connected as a standalone system as shown in the following figure (1). In this connection topology all the calling points can be connected using common ground taken from the power supply GND. The jumpers J5 to J12 must be shorted as shown in the same image. In addition the jumper J2 must be mounted in the 1-2 position and the Dip Switch 1 of SW1 to the OFF position. The names of the system that appears on the main LCD display and all calling points can be programmed using the procedure described in the programming section of this manual.

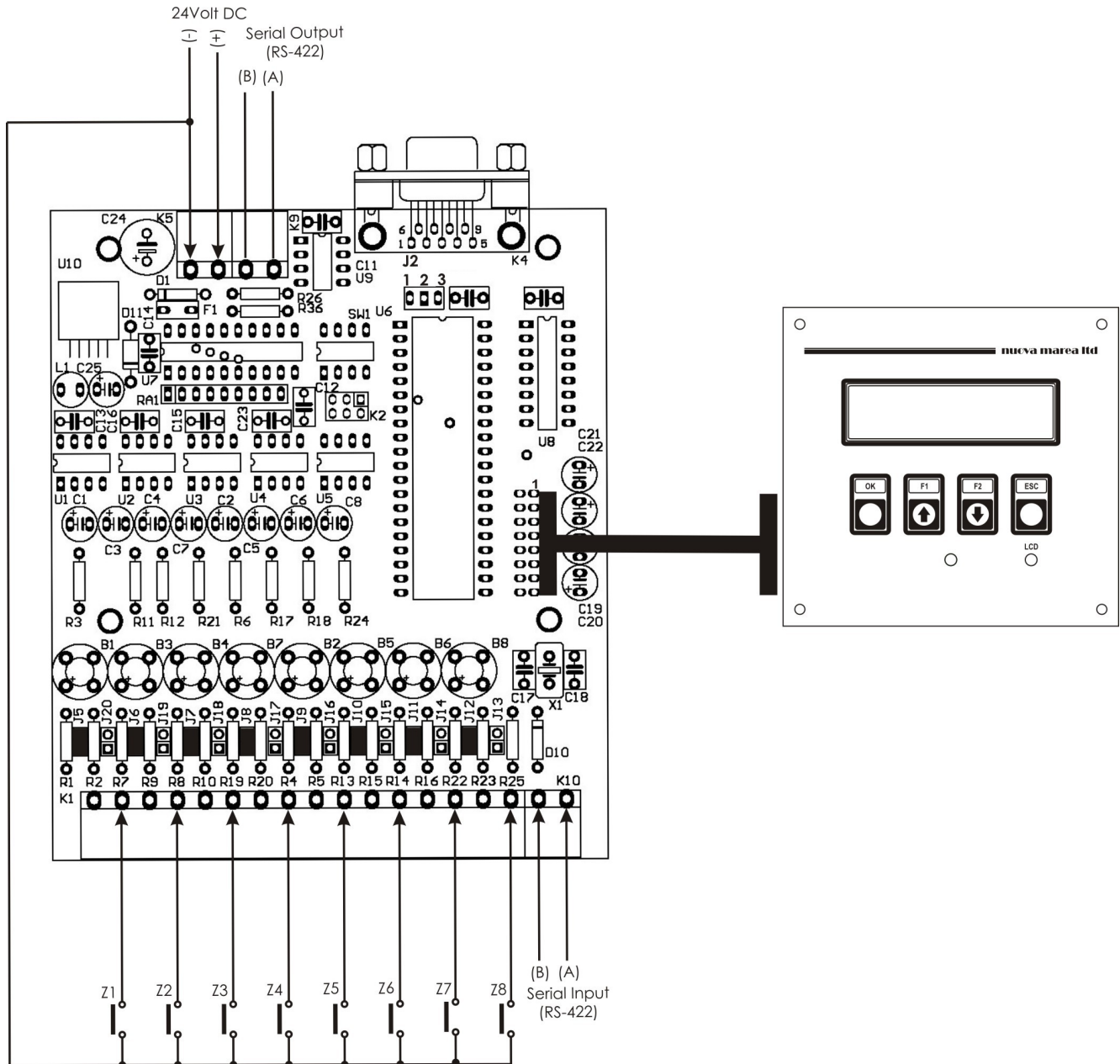


figure (1): Standalone connection of the CA880

The following figure (2) shows an installation of the CA880 using the slave display CA-881 for receiving and acknowledging calls from two different areas inside the vessel.

In this topology all calling points are connected to the master unit which interfaces the slave unit to send incoming calls and receive acknowledgments. The interfacing between master and slave unit is accomplished by connecting the RS-422 output channel (connector K9) of the master to the RS-422 input channel (connector K10) of the slave unit and vice versa. Jumper and Dip Switch setup is the same with the standalone topology described previously.

**nuova marea ltd**

marine electronics & design

26, Myrtiliotissis str. Kastella 185-33 Piraeus Greece

Tel +30 210 4134628 & +30 210 4134698 Fax +30 210 4134814

Web: <http://www.nuovamarea.com> e-mail: [sales@nuovamarea.com](mailto:sales@nuovamarea.com)

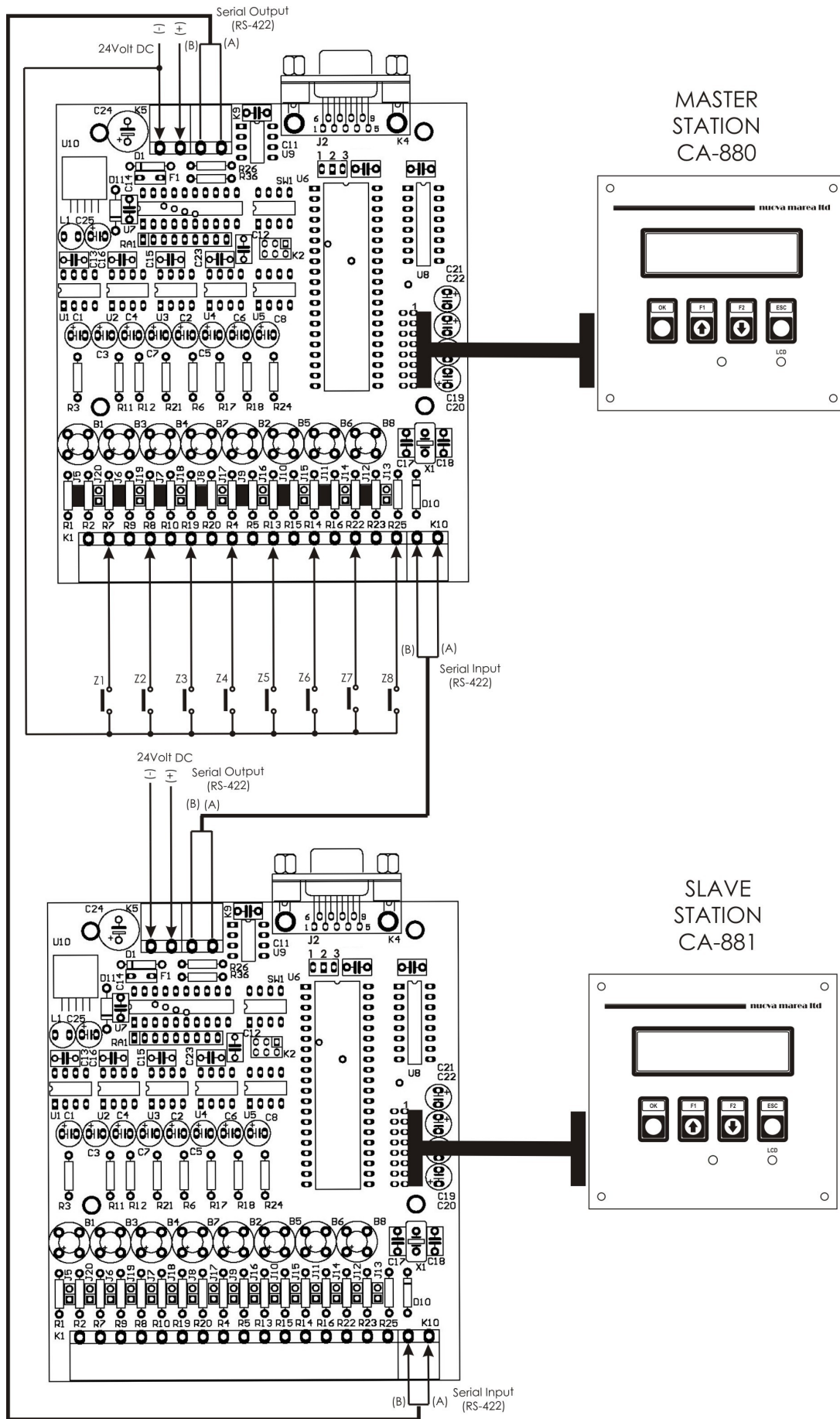


Figure (2): Master/Slave connection diagram

**nuova marea ltd**

marine electronics & design

26, Myrtiliotissis str. Kastella 185-33 Piraeus Greece

Tel +30 210 4134628 & +30 210 4134698 Fax +30 210 4134814

Web: <http://www.nuovamarea.com> e-mail: [sales@nuovamarea.com](mailto:sales@nuovamarea.com)

## Operation

When a button is pressed in any of the eight zones a visual and an audible notification appears on both the master and slave display. Pressing the "OK" button on any of the two keyboards acknowledges the alarm and resets the other unit via network. The keyboard functionalities for the master and slave unit are described separately below:

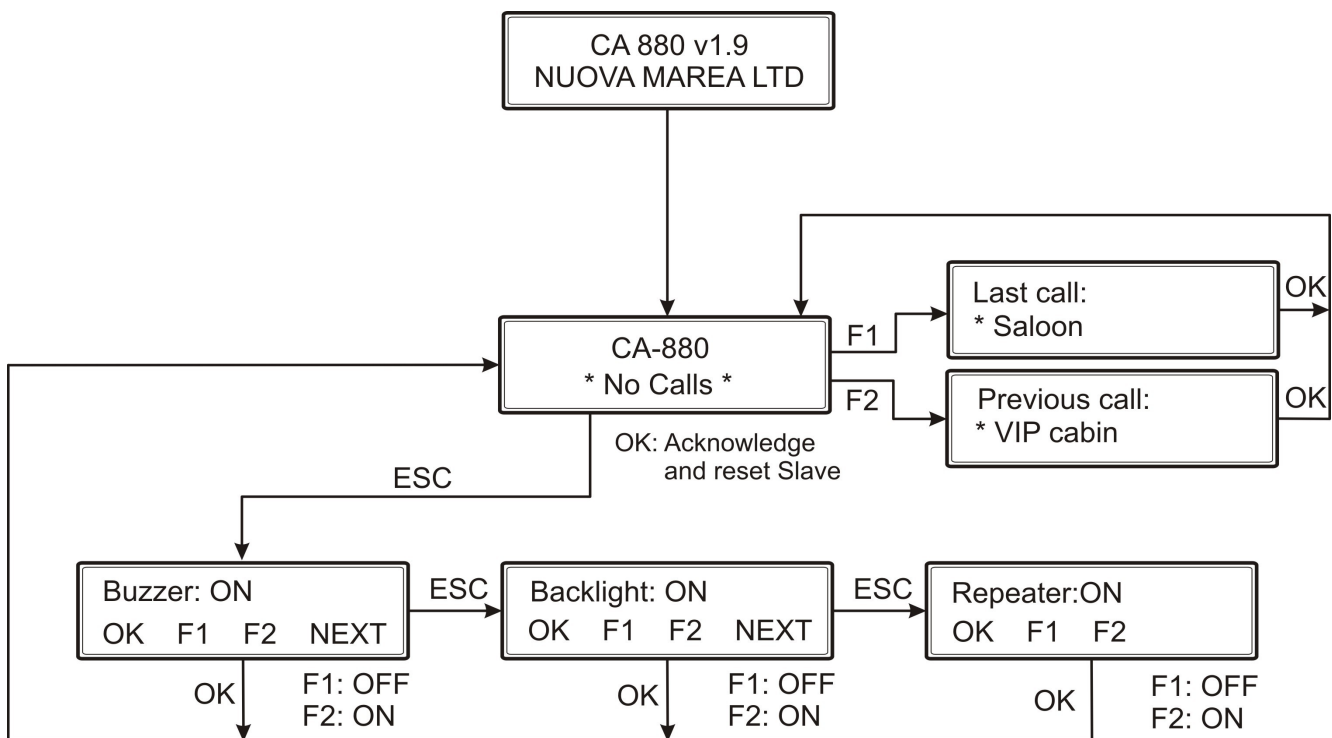
### Master unit CA-880

The visual indication of the last call remains on the LCD screen until a new call is received. At any time by pressing the "F1" or the "F2" button on the main unit the user can see the source of the last call or the call that has been send before that. Every time the "ESC" button is pressed, the user can go through the setup options to configure the system. The available options are the following:

1. Back light ON or OFF
2. Buzzer for audible alarm ON or OFF and
3. Remote display ON or OFF

The value of any option can be changed with the "F1" and "F2" keys. The user can return to the main screen by pressing the "OK" button.

The complete functions of the CA-880 keyboard are shown at the following flowchart:



### Slave unit CA-881

The functionality of each button of the CA-881 is shown below:

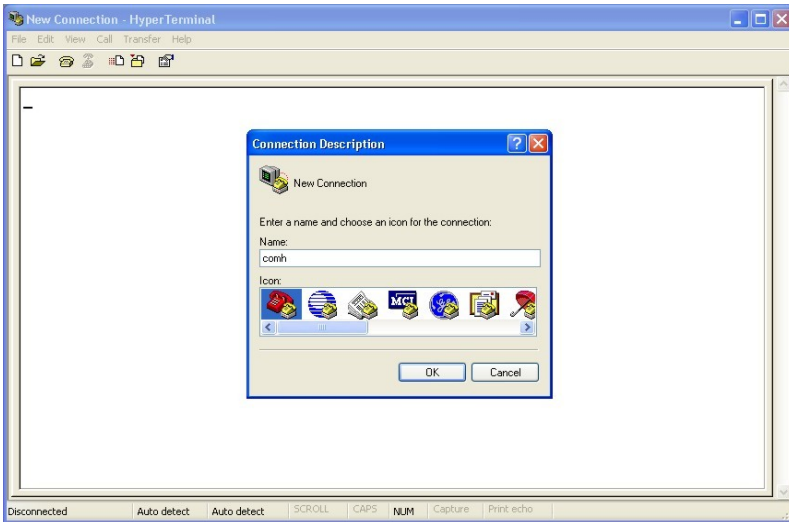
1. OK: Acknowledges the existing alarm and sends network reset to the main unit CA-880
2. F1 : Turns ON and OFF the back light of the LCD display
3. F2 : Turns ON and OFF the buzzer
4. ESC: Shows the last call point

## Programming

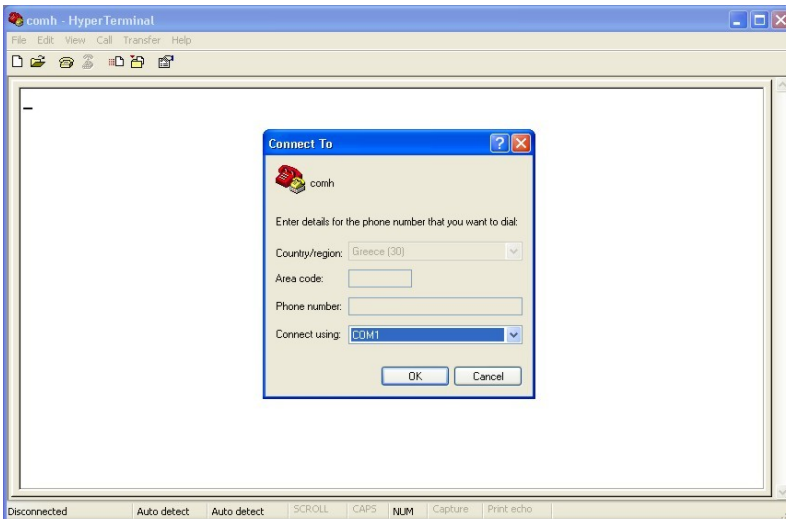
When the CA-880 is delivered, the names for the system and zones are set to the default values. To be able to change those settings the installer needs to program only the CA-880 main unit where the call points are physically connected. The remote display in a master/slave installation does not need programming and will display call point names correctly once the main unit is programmed.

To program the CA-880 use the following procedure:

1. Connect the CA-880 main unit to the serial port of the computer using a standard RS-232 cable
2. Turn Switch 1 at the SW1 dip switch array to the ON position (see figure 1)
3. Mount jumper J2 to the position 2-3 (see figure 1)
4. Turn on the computer and execute the hyper terminal software found under:  
Start > All Programs > Accessories > Communication > Hyperterminal
5. In the "Connection Description" window type a name for the new hyperteminal session and press OK



6. In the "Connect To" window select the serial port that is currently connected to the CA-880 and press OK



### nuova marea ltd

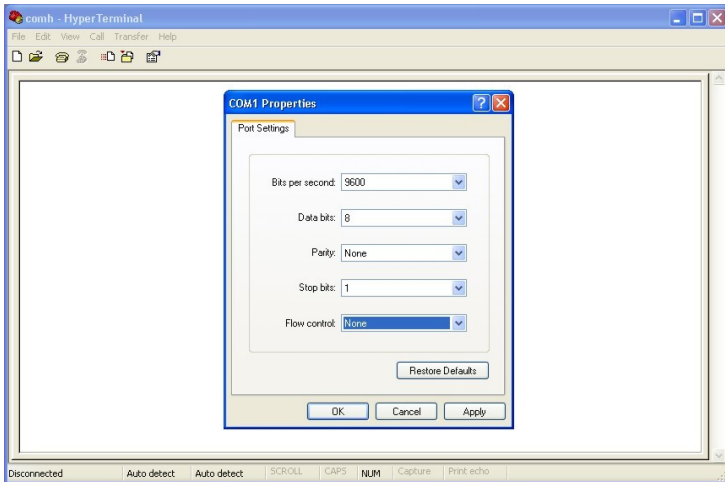
marine electronics & design

26, Myrtiliotissis str. Kastella 185-33 Piraeus Greece

Tel +30 210 4134628 & +30 210 4134698 Fax +30 210 4134814

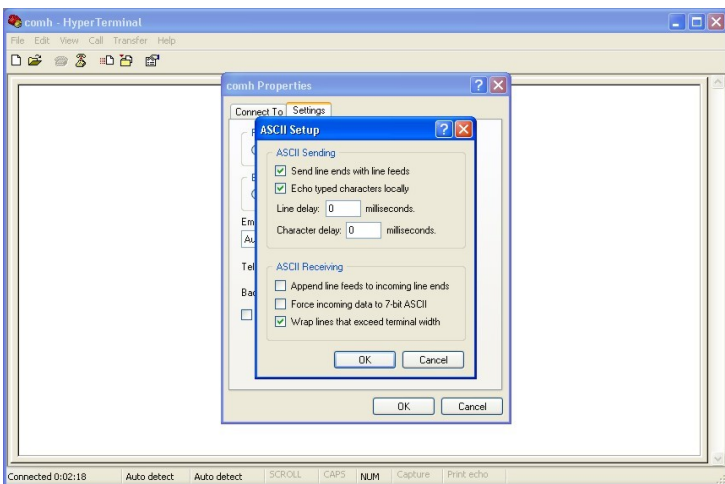
Web: <http://www.nuovamarea.com> e-mail: [sales@nuovamarea.com](mailto:sales@nuovamarea.com)

7. In the "COMx Properties" window setup the settings for the serial communication (9.600/8/N/1) and press OK

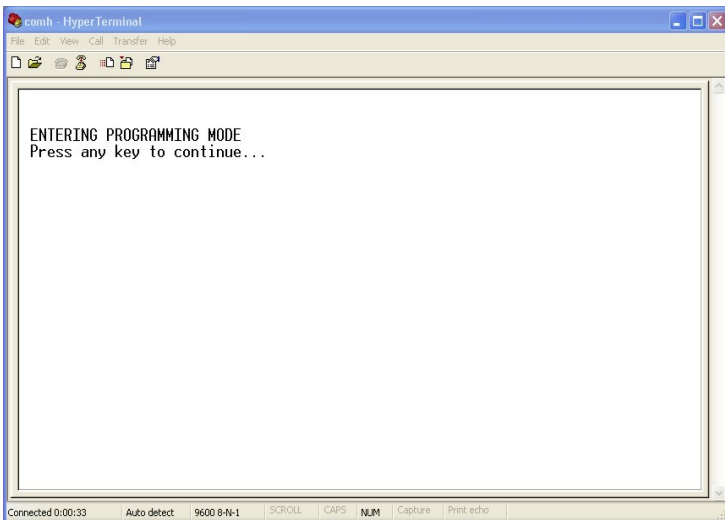


8. The Hyperterminal software should now be connected and running on COMx. Next step is to setup the hyperterminal to echo the typed characters locally in the terminal window. This option can be found in the window "ASCII Setup" under the menu "File":

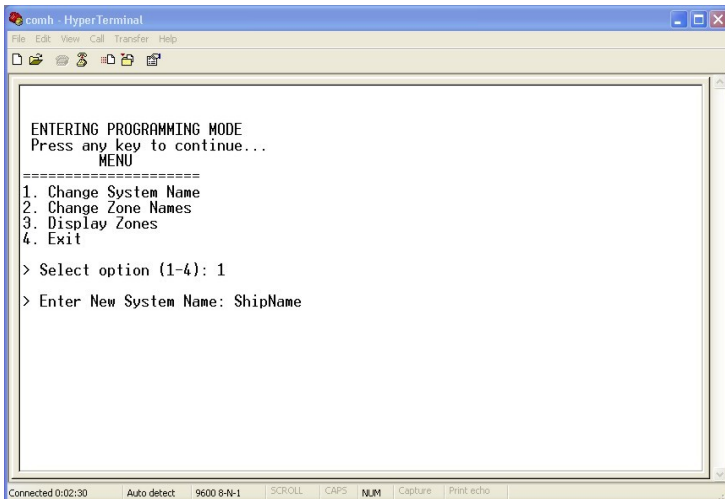
File > Properties > Settings > ASCII Setup



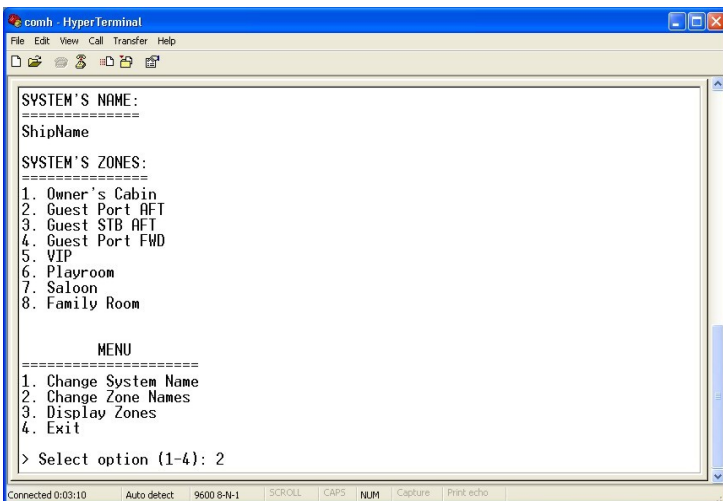
9. Turn on the power supply of the CA-880 and the device will respond with the message shown in the next image. Press any key to continue.



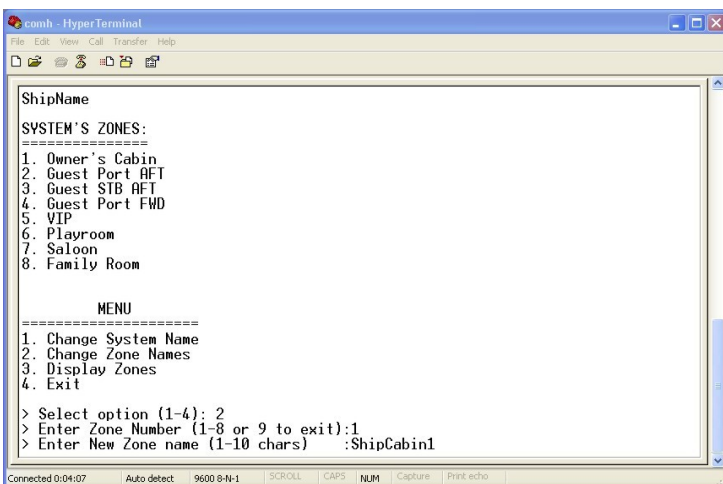
10. The options menu appears. By selecting option 1 you can change the system name that appears on the main screen of the LCD.



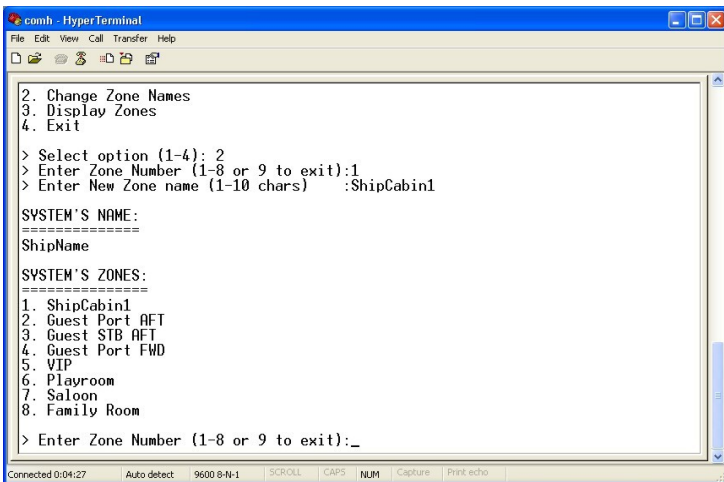
11. The CA-880 responds by sending the table of system's name and zones



12. By selecting option menu "2" you can change the name of each zone that appears on the LCD screen whenever an incoming call arrives. Enter the number of the zone name that is to be changed and press "enter". Enter the desired zone name and press "enter"



13. Notice that every time a parameter is changed the CA-880 responds by sending a table with the current names for the system and the zones.



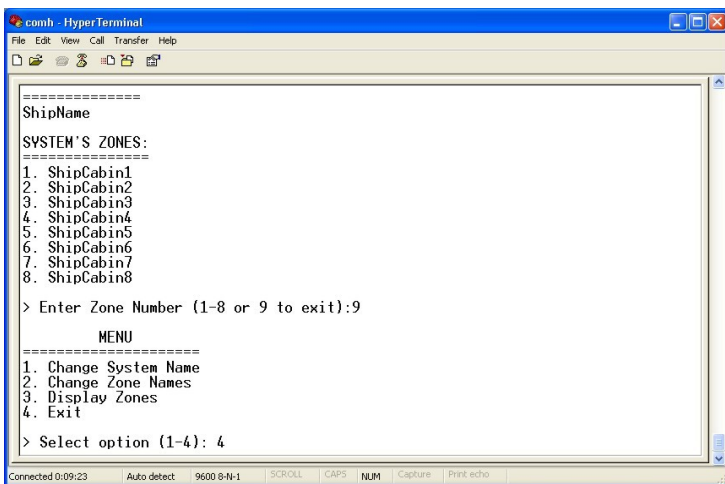
```
comh - HyperTerminal
File Edit View Call Transfer Help
2. Change Zone Names
3. Display Zones
4. Exit
> Select option (1-4): 2
> Enter Zone Number (1-8 or 9 to exit):1
> Enter New Zone name (1-10 chars) :ShipCabin1

SYSTEM'S NAME:
=====
ShipName

SYSTEM'S ZONES:
=====
1. ShipCabin1
2. Guest Port AFT
3. Guest STB AFT
4. Guest Port FWD
5. VIP
6. Playroom
7. Saloon
8. Family Room

> Enter Zone Number (1-8 or 9 to exit):_
Connected 0:04:27 Auto detect 9600 8-N-1 SCROLL CAPS NUM Capture Print echo
```

14. After every zone is programmed you can press "9" to exit zone setup sub menu



```
comh - HyperTerminal
File Edit View Call Transfer Help
=====
ShipName

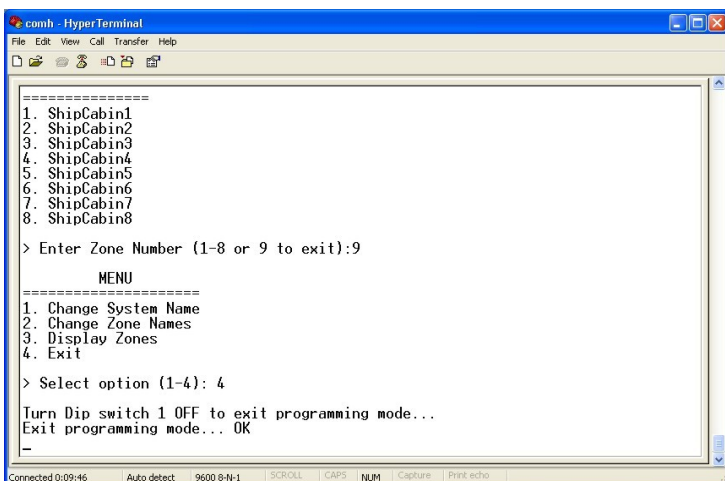
SYSTEM'S ZONES:
=====
1. ShipCabin1
2. ShipCabin2
3. ShipCabin3
4. ShipCabin4
5. ShipCabin5
6. ShipCabin6
7. ShipCabin7
8. ShipCabin8

> Enter Zone Number (1-8 or 9 to exit):9

MENU
=====
1. Change System Name
2. Change Zone Names
3. Display Zones
4. Exit

> Select option (1-4): 4
Connected 0:09:23 Auto detect 9600 8-N-1 SCROLL CAPS NUM Capture Print echo
```

16. When setup is complete press "4" to exit the programming mode. To complete the programming procedure you should turn the dip switch 1 at the SW1 to the OFF position and mount the jumper J2 to 1-2 position.



```
comh - HyperTerminal
File Edit View Call Transfer Help
=====
1. ShipCabin1
2. ShipCabin2
3. ShipCabin3
4. ShipCabin4
5. ShipCabin5
6. ShipCabin6
7. ShipCabin7
8. ShipCabin8

> Enter Zone Number (1-8 or 9 to exit):9

MENU
=====
1. Change System Name
2. Change Zone Names
3. Display Zones
4. Exit

> Select option (1-4): 4

Turn Dip switch 1 OFF to exit programming mode...
Exit programming mode... OK
-
Connected 0:09:46 Auto detect 9600 8-N-1 SCROLL CAPS NUM Capture Print echo
```

17. Recycle the power supply for both master and slave units